



## AQUAMATIC® K55 SERIES COMPOSITE CONTROL VALVES

CONSTRUCTED OF CORROSION-RESISTANT MATERIALS



### FEATURES/BENEFITS

The unique Y-pattern design with large seat opening and high lift disc permits higher flow rates at lower pressure loss than other comparable valves

All components can be serviced while the valve is in-line

Separate flow and control chambers permit positive closing without springs

Pre-formed, stress-relieved diaphragm minimizes fatigue, maximizes valve responsiveness and diaphragm lifetime

Diaphragm acts as an actuator, eliminating the need for electric or pneumatic actuators

All internal parts in contact with media are made of composite materials

Seals are ethylene propylene for better chemical resistance\*

K55 Series Valves are available in sizes from 1/2" - 2"

A variety of available end connectors make the valve compatible for 3/8" - 3" pipe sizes

Adaptable to a wide variety of control devices

Isolated bonnet

Assures no cross connection between line & control fluid

### OPTIONS

Normally open [standard]

Limit stop for flow control

Seal and diaphragm materials for special applications

Union End Connectors - Female socket weld connectors for easy installation and the ability to remove the valve without disrupting the service piping

Failsafe spring closed 30, 60, and 100 PSI

### TYPICAL APPLICATIONS

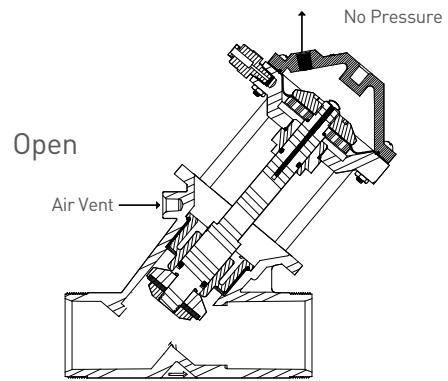
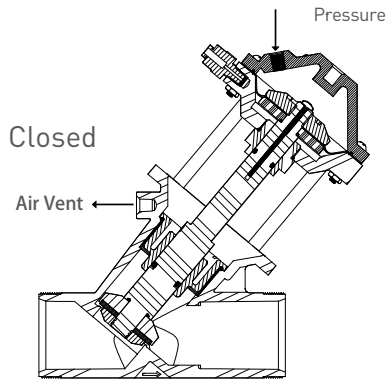
Chemical Injection  
Deionizers

Fertilizer Spray Equipment  
Metal Recovery Systems  
Mining Wastes  
Process Water Systems  
Water Treatment Systems

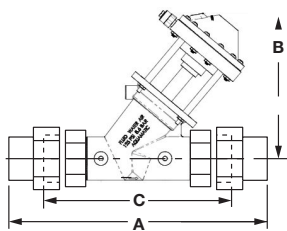
\* Valves are NOT recommended for use with any aromatic, hydrocarbon-based media.

## DIMENSIONS

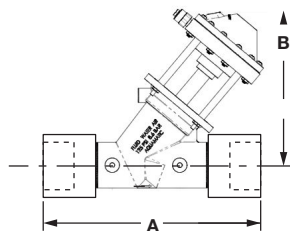
MODEL #	PIPE SIZE	DIMENSIONS (APPROXIMATE)					
		A	B	C	D	E	F
K5520	1/2"	7" (177.8 mm)	3.94" (100.1 mm)	4.87" (123.7 mm)	-	-	-
K5521	1"	9" (228.6 mm)	5.58" (141.7 mm)	6.31" (160.3 mm)	-	-	-
K5524	1-1/2"	12.5" (317.5 mm)	7.94" (201.7 mm)	9.31" (135.0 mm)	-	-	-
K5524	2"	10.50" (266.7 mm)	7.94" (201.7 mm)	-	-	-	-
K5524	2"	10.5" (266.7 mm)	7.94" (201.7 mm)	-	-	-	-
K5520	1/2"	7" (177.8 mm)	3.94" (100.1 mm)	3.93" (99.8 mm)	-	-	-
K5521	1"	9" (228.6 mm)	5.58" (141.7 mm)	4.50" (114.3 mm)	-	-	-
K5524	1-1/2"	12.5" (336.5 mm)	7.94" (201.7 mm)	7.75" (196.8 mm)	-	-	-
K5524	2"	9" (226.6 mm)	7.94" (201.7 mm)	6.00" (152.4 mm)	.75" (19.05 mm)	4.75" (120.85 mm)	.688" (17.48 mm)



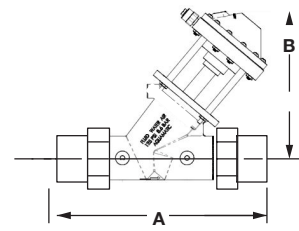
Union End Connectors



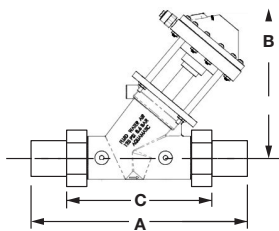
Female Socket Weld End Connectors



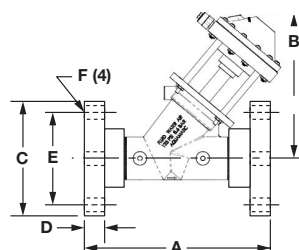
Male Socket Weld End Connectors



Grooved Adaptor Connectors



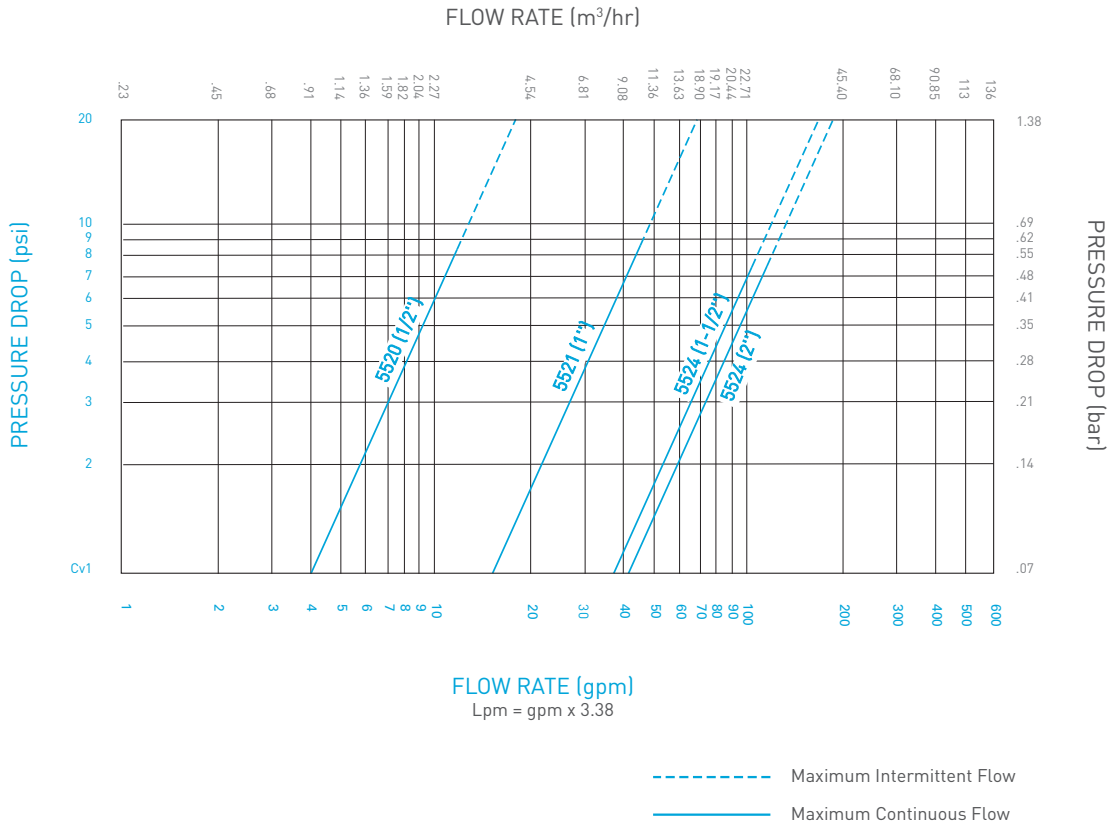
Flanged Socket Weld End Connectors



## OPERATING SPECIFICATIONS

Max Pressure 125 psi (8.6 bar)  
 Max Temperature 140°F (60°C)

## PERFORMANCE DATA





16605 West Victor Rd. New Berlin, WI 53151

P: 262-326-0100 | [www.aq-matic.com](http://www.aq-matic.com) | [techsupport@aq-matic.com](mailto:techsupport@aq-matic.com)

© 2016 AQ Matic Valve and Controls Company, Inc. All rights reserved.

All AQ Matic trademarks and logos are owned by AQ Matic or its affiliates. All other registered and unregistered trademarks and logos are the property of their respective owners. Because we are continuously improving our products and services, AQ Matic reserves the right to change specifications without prior notice. AQ Matic is an equal opportunity employer.

20160916 REV A SE2016